

DME-82

8" MIDRANGE LOUDSPEAKER

1.5 Inch Voice Coil 4 Ω



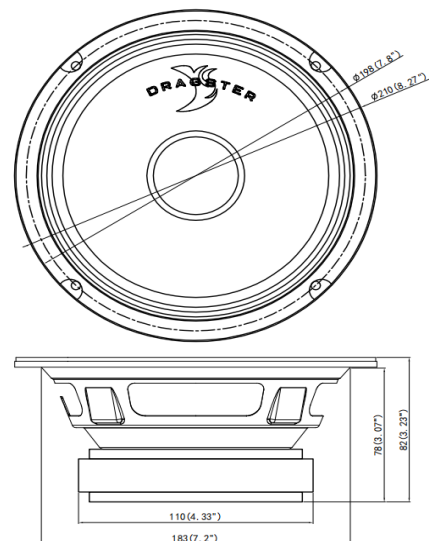
SPECIFICATIONS:

General Data		Unit
Overall Dimensions	210	mm
Mounting Depth	78	mm
Baffle Cutout Diameter	183	mm
Nominal Power Handling	100	W
Maximum Power	200	W
Sensitivity	95	Db
Frequency Response	109-12.2k	Hz
Cone Material	Paper Cone	\
Basket	Steel	\
Net Weight	1.7	KGS
Electrical Data		
Nominal Impedance	4	OHMS
DC Resistance	3.2	OHMS
Voice Coil and Magnet Parameters		
Voice Coil Diameter	35.5	mm
Voice Coil Height	7.3	mm
HE Magnetic Gap Height	5	mm
Number of Layers	2	pc
Winding Material	CCA W	\
Voice Coil Bobbin	Kapton	\
Magnet System Type	Ferrite	\
Magnet Weight	23	oz
T-S Parameters		
Suspension Compliance	187.9	Cms
Mechanical Q Factor	8.1	Qms
Electrical Q Factor	1.73	Qes
Total Q Factor	1.52	Qts
Moving Mass	13.8	Mms
Eq.Cas AIR Load	12.35	Vas
Resonant Frequency	110	Fs
Effective Piston Area	213.2 cm ²	SD

Pictures



Dimensions



SPL and FREQ

