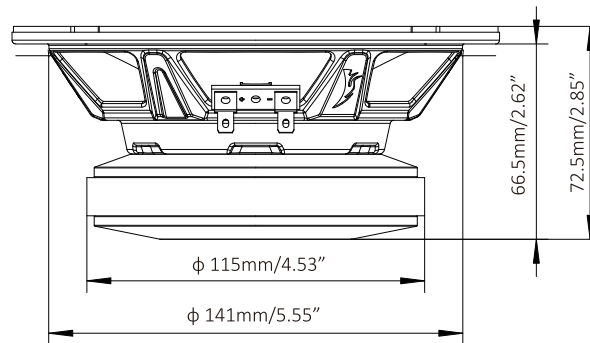
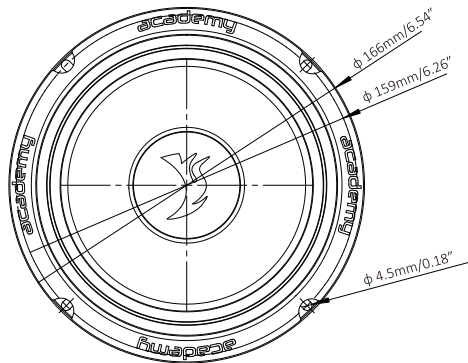
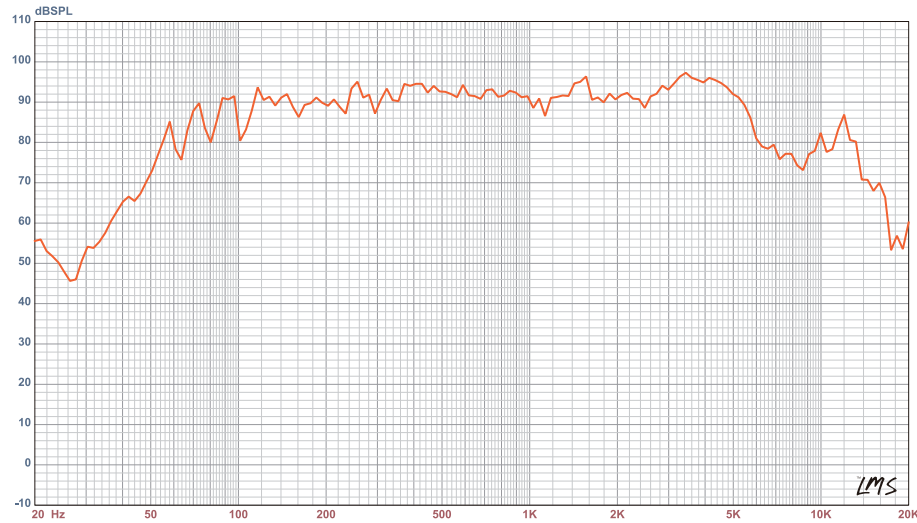


## SPL vs Freq



## 6.5" TOP-LINE MIDRANGE SPEAKER

### Specifications:

Nominal Diameter	6.5
Nominal Impedance	4 ohms
MAX Power Handling	150W
RMS Power Handling	300W
Sensitivity (1w/1m)	96.5 dB
Frequency Response	80Hz-6KHz

### Motor:

Voice Coil Diameter	1.5"/38.6 mm
Voice Coil Former Material	Kapton
Winding Material	CCAW
Cone Material	Paper
Surround Material	Cloth
Basket Material	Steel
Magnet Material	Ferrite Y35
Magnet Weight	20 oz

### Thiele & Small Parameters:

Equivalent Volume	Vas	2.16L
Excursion	X-max	9.4mm
Free Air Resonance	Fs	150 Hz
Mechanical Factor	Qms	1.875
Electrical Factor	Qes	0.461
Total Factor	Qts	0.372
Dc Resistance	Re	3.2 ohms

### Measurements

Overall Diameter	166/6.54" mm
Front Mount Baffle Cutout	141/5.55" mm
Mounting Depth	66.5/2.62" mm
Overall Depth	72.5/2.85" mm

# ACM-62F