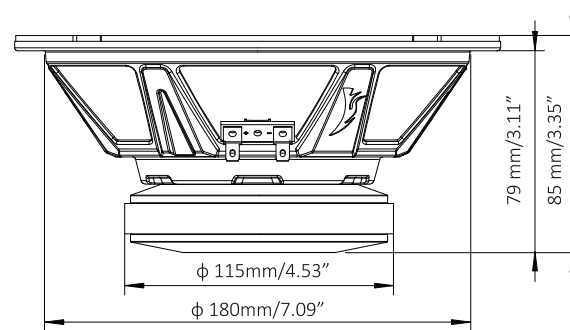
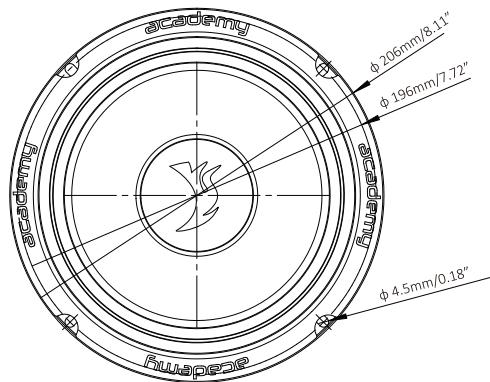
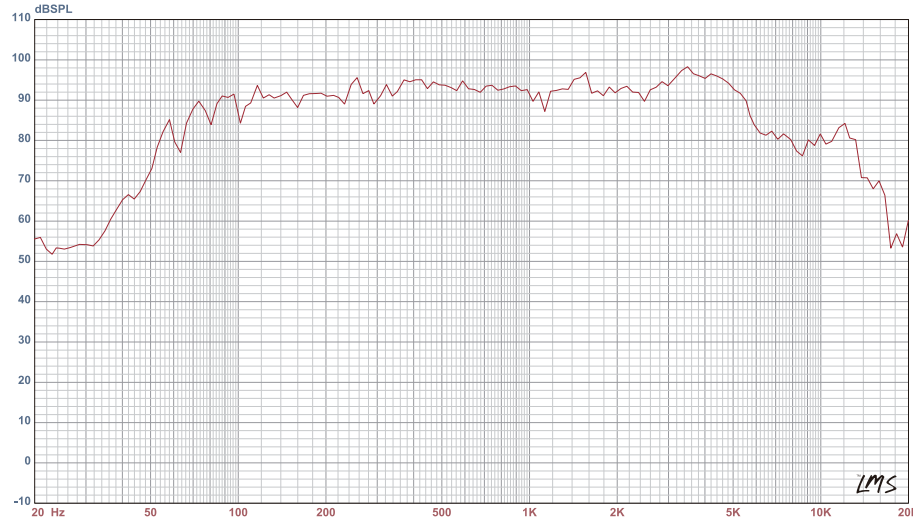


## SPL vs Freq



## 8" TOP-LINE MIDRANGE SPEAKER

### Specifications:

Nominal Diameter .....	8
Nominal Impedance .....	4 ohms
MAX Power Handling .....	200W
RMS Power Handling .....	400W
Sensitivity (1w/1m).....	97.5 dB
Frequency Response .....	83Hz-7.5KHz

### Motor:

Voice Coil Diameter .....	1.5"/38.6 mm
Voice Coil Former Material .....	Kapton
Winding Material .....	CCAW
Cone Material .....	Paper
Surround Material .....	Cloth
Basket Material .....	Steel
Magnet Material .....	Ferrite Y35
Magnet Weight.....	20 oz

### Thiele & Small Parameters:

Equivalent Volume	Vas .....	3.24L
Excursion	X-max.....	9.4mm
Free Air Resonance	Fs.....	140 Hz
Mechanical Factor	Qms .....	1.964
Electrical Factor	Qes.....	0.523
Total Factor	Qts.....	0.364
Dc Resistance	Re .....	3.2 ohms

### Measurements

Overall Diameter .....	206/8.11" mm
Front Mount Baffle Cutout .....	180/7.09" mm
Mounting Depth .....	79/3.11" mm
Overall Depth .....	85/3.35" mm

# ACM-82F