



USER MANUAL FOR

# DMN-42

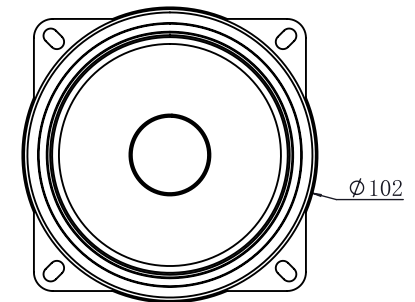
4 INCH MIDRANGE SPEAKER

**DMN-42**  
**4.0 Inch Midrange Speaker**  
**Ø 1 Inch Voice Coil 4Ω**



## SPECIFICATIONS

General Data		Unit	Dimensions	
Overall Dimensions	102*55.5	mm		
Nominal Power Handling	50	W		
Transient Power 10ms	100	W		
Sensitivity	89.6	dB		
Frequency Response	134-16K	Hz		
Cone Material	Paper			
Net Weight	0.33	kg		
Electrical Data				
Nominal Impedance	4	Ohm		
DC Resistance	3.2	Ohm		
Voice Coil and Magnet Parameters				
Voice Coil Diameter	25.9	mm		
Voice Coil Height	7.4	mm		
HE Magnetic Gap Height	4	mm		
Max.Linear Excursion	1.7	mm		
Voice Coil bobbin	Kapton			
Voice Coil Wire	CCAW			
Number Of Layers	2	layers		
Magnet System Type	Neodymium			
BL Product	3.6	N.A		
T-S Parameters				
Suspension Compliance	Cms	0.42		
Mechanical Q Factor	Qms	5.59		
Electrical Q Factor	Qes	0.69		
Total Q Factor	Qts	0.61		
Moving Mass	Mms	3.3		
Eq.Cas Air Load( liters)	VAS	1.66	Liter	
Resonant Frequency	Fs	134.8	Hz	
Effective Piston Area	SD	52.8	cm <sup>2</sup>	



FOR REFERENCE ONLY

