



**academy**  
D R A G S T E R

T U N E D F O R Y O U R S O U L

[www.dragsteraudio.it](http://www.dragsteraudio.it)

Owner's Manual

---

# **AW-120S**

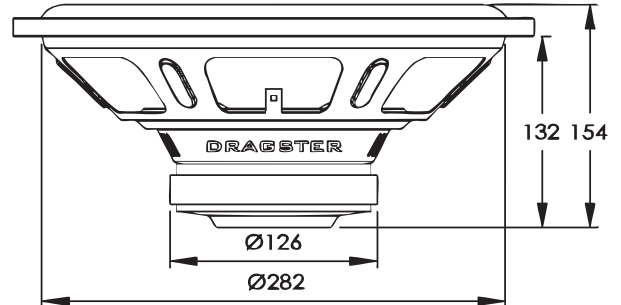
## ***SUBWOOFER***

CE

## SPECIFICATIONS

Overall Dimensions	mm	315*154
RMS POWER	W	250
MAX POWER	W	500
Sensitivity	dB	86,6
Frequency Response	Hz	29-300
Voice Coil Diameter	mm	50,8
Nominal Impedance	ohms	4
DC Resistance	ohms	3,3
Magnet (OZ)	Ferrite	
Basket material	Stamped Steel Basket	
Coil Material	Copper	
Former material	Aluminum	
Cone Material	Paper	
Surround material	Foam	
Voice coil winding height	mm	21,4
Gap height	mm	8
Xmax	mm	6,7
BL Product	N.A	11,43
Net weight	kg	3,5

### Dimensions



1. FEM optimized open motor, provide low distortion and highly motor efficiency
2. 7"PC mixture dampers
3. Kraft pulp fiber non-pressed drying paper cone
4. 2 inch diameter 4 layer coil

### T-S Parameters

Fs	Hz	29	Revc	Ohm	3.300
Mms	g	141,4	Levc	m H	1.662
Cms	mm/N	0,2	Fo	Hz	29,249
Qms		5,88	Md	g	120.000
Qes		0,65	BL		11.433
Qts		0,59	SPLo	dB	86.6
Vas	L	77,5	Mmd	g	134.859
Sd	cm <sup>2</sup>	510,7			
No	%	0,28			

All specifications subject to change without notice!

### Frequency Response

