

# DME-52

5.25" MIDRANGE LOUDSPEAKER

1.5 Inch Voice Coil 4 Ω



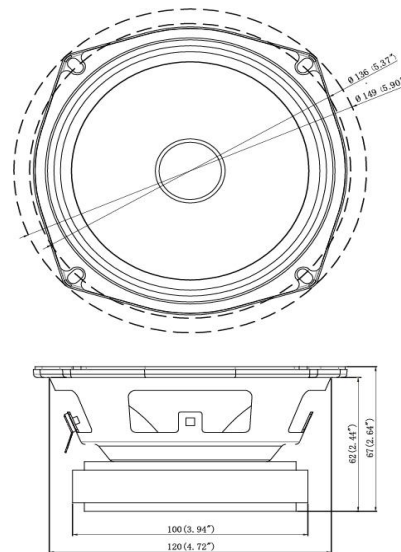
## SPECIFICATIONS:

General Data		Unit
Overall Dimensions	155	mm
Mounting Depth	64	mm
Baffle Cutout Diameter	120	mm
Nominal Power Handling	70	W
Maximum Power	140	W
Sensitivity	89	Db
Frequency Response	173-14k	Hz
Cone Material	Paper Cone	\
Basket	Steel	\
Net Weight	1.2	KGS
Electrical Data		
Nominal Impedance	4	OHMS
DC Resistance	3.2	OHMS
Voice Coil and Magnet Parameters		
Voice Coil Diameter	38.6	mm
Voice Coil Height	7.3	mm
HE Magnetic Gap Height	3.6	mm
Number of Layers	2	pc
Winding Material	CCAW	\
Voice Coil Bobbin	Kapton	\
Magnet System Type	Ferrite	\
Magnet Weight	15	oz
T-S Parameters		
Suspension Compliance	101	Cms
Mechanical Q Factor	5.4	Qms
Electrical Q Factor	1.5	Qes
Total Q Factor	0.95	Qts
Moving Mass	11.2	Mms
Eq.Cas AIR Load	1.8	Vas
Resonant Frequency	172	Fs
Effective Piston Area	95.03 cm <sup>2</sup>	SD

## Pictures



## Dimensions



## SPL and FREQ

