



USER MANUAL FOR

DMZ-62H

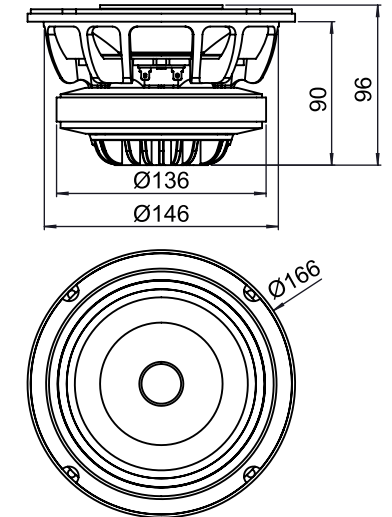
6.5 INCH PRO COAXIAL SPEAKER

DMZ-62H
6.5 Inch Pro Coaxial Speaker
Die-cast Aluminum Basket



SPECIFICATIONS

General Data			Unit
Type	Woofers	Tweeter	
Overall Dimensions	166*96		mm
Nominal Power Handling	150	50	W
Transient Power 10ms	300	100	W
Sensitivity	91.8	100	dB
Frequency Response	120-6K	700-17.5K	Hz
Cone Material	Paper	Polyester	
Net Weight	2.3		kg
Electrical Data			
Nominal Impedance	4	8	Ohm
DC Resistance	3.2	6	Ohm
Voice Coil and Magnet Parameters			
Voice Coil Diameter	50.8	44.4	mm
Voice Coil Height	12.8	3.1	mm
HE Magnetic Gap Height	6	4	mm
Max.Linear Excursion	3.4	0.45	mm
Voice Coil bobbin	KAPTON	Kapton	
Voice Coil Wire	CCAW	CCAW	
Number Of Layers	2	2	layers
Magnet System Type	High Flux Ferrite		
BL Product	4.89		N.A
T-S Parameters			
Suspension Compliance	Cms	0.19	
Mechanical Q Factor	Qms	3.64	
Electrical Q Factor	Qes	0.88	
Total Q Factor	Qts	0.71	
Moving Mass	Mms	9.19	
Eq.Cas Air Load(liters)	VAS	5.08	Liter
Resonant Frequency	Fs	120	700
Effective Piston Area	SD	136.8	cm ²



FOR REFERENCE ONLY

