



USER MANUAL FOR

AMW-6

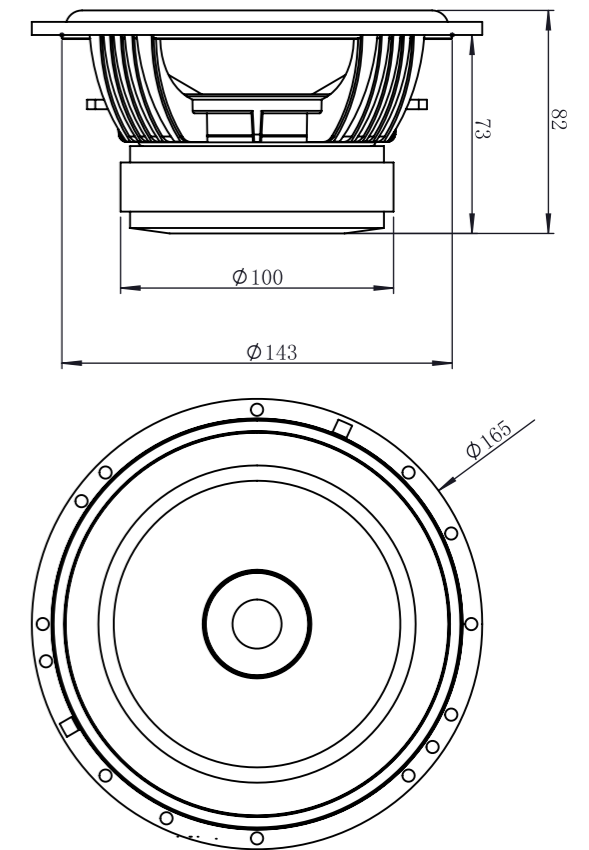
6.5 INCH MIDBASS

AMW-6
6.5 Inch Midbass
1.5" Voice coil, 4 Ω



SPECIFICATIONS

General Data		Unit	Dimensions
Overall Dimensions	165*82	mm	
Nominal Power Handling	150	W	
Transient Power 10ms	300	W	
Sensitivity	87.8	dB	
Frequency Response	60-10K	Hz	
Cone Material	Carbon		
Net Weight	2	kg	
Electrical Data			
Nominal Impedance	4	Ohm	
DC Resistance	3.4	Ohm	
Voice Coil and Magnet Parameters			
Voice Coil Diameter	38.6	mm	
Voice Coil Height	13.7	mm	
HE Magnetic Gap Height	6	mm	
Max.Linear Excursion	3.85	mm	
Voice Coil bobbin	Kapton		
Voice Coil Wire	CCAW		
Number Of Layers	2	layers	
Magnet System Type	High Flux Ferrite		
BL Product	5.2	N.A	
T-S Parameters			
Suspension Compliance	Cms	0.45	
Mechanical Q Factor	Qms	3.36	
Electrical Q Factor	Qes	0.65	
Total Q Factor	Qts	0.54	
Moving Mass	Mms	14.3	
Eq.Cas Air Load(liters)	VAS	10.73	Liter
Resonant Frequency	Fs	62	Hz
Effective Piston Area	SD	128.6	cm ²



FOR REFERENCE ONLY

