



USER MANUAL FOR

DTX-206N

1.0" VC SUPER TWEETER

DTX-206N
Neodymium Magnet Aluminum Dome
Aluminum Horn 1.0"VC 4Ω



SPECIFICATIONS

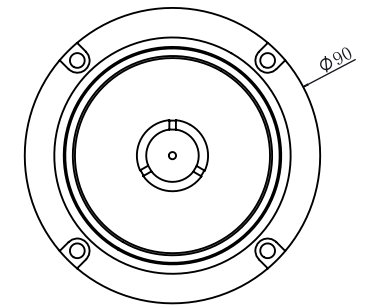
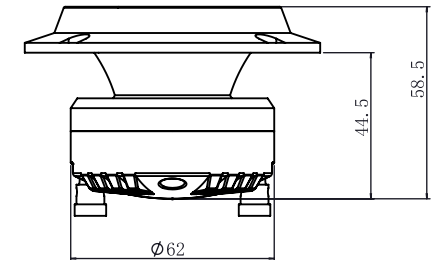
General Data		Unit
Overall Dimensions	90°58.5	mm
Nominal Power Handling	100	W
Transient Power 10ms	200	W
Sensitivity	106	dB
Frequency Response	2.5K-30K	Hz
Dome Material	Aluminum	
Net Weight	0.42	kg

Electrical Data		
Nominal Impedance	4	Ohm
DC Resistance	3.6	Ohm

Voice Coil and Magnet Parameters		
Voice Coil Diameter	25.4	mm
Voice Coil Height	1.8	mm
HE Magnetic Gap Height	5	mm
Max.Linear Excursion		mm
Voice Coil bobbin	Kapton	
Voice Coil Wire	Aluminum	
Number Of Layers	2	layers
Magnet System Type	Neodymium,0.87Oz	

T-S Parameters			
Resonant Frequency	Fs	2.5K	Hz

Dimensions



FOR REFERENCE ONLY

