



USER MANUAL FOR

# DCA-943

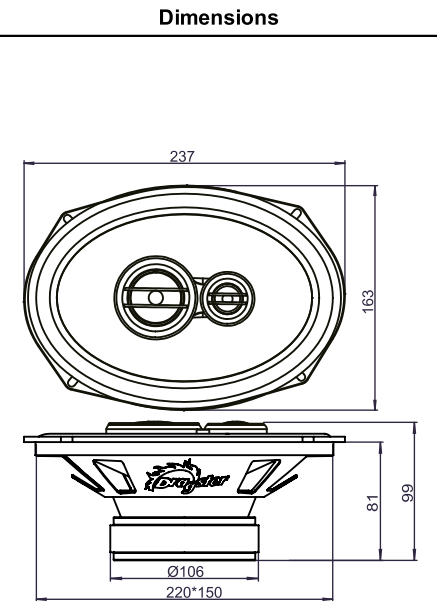
6\*9 INCH 3-WAY CAR COAXIAL SPEAKER

**DCA-943**  
**6\*9 Inch 3-Way Car Coaxial Speaker**  
**Ø 1.0 Inch Voice Coil 4Ω**



## SPECIFICATIONS

General Data			Unit
Type	Woofers	Tweeter	
Overall Dimensions	237*163*99		mm
Nominal Power Handling	50		W
Transient Power 10ms	100		W
Sensitivity	86.2		dB
Frequency Response	52-20K		Hz
Cone Material	Polypropyle	PEI Dome	
Net Weight	1.36		kg
Electrical Data			
Nominal Impedance	4	4	Ohm
DC Resistance	3.4	3.2	Ohm
Voice Coil and Magnet Parameters			
Voice Coil Diameter	25.9	13.28	mm
Voice Coil Height	12.5	1.4	mm
HE Magnetic Gap Height	4	1.5	mm
Max.Linear Excursion	4.25		mm
Voice Coil bobbin	KAPTON	Aluminum	
Voice Coil Wire	Copper	CCAW	
Number Of Layers	2	2	layers
Magnet System Type	High Flux Ferrite	Neodymium	
BL Product	5.01		N.A
T-S Parameters			
Suspension Compliance	Cms	0.32	
Mechanical Q Factor	Qms	3.74	
Electrical Q Factor	Qes	1.17	
Total Q Factor	Qts	0.89	
Moving Mass	Mms	28.05	
Eq.Cas Air Load( liters)	VAS	21.9	Liter
Resonant Frequency	Fs	52	Hz
Effective Piston Area	SD	217.3	cm <sup>2</sup>



**FOR REFERENCE ONLY**

