



USER MANUAL FOR

DCA-442

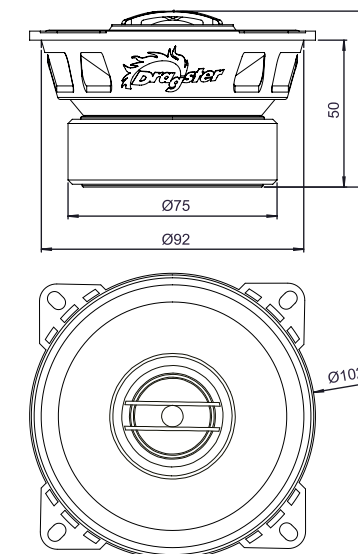
4 INCH 2-WAY CAR COAXIAL SPEAKER

DCA-442
4 Inch 2-Way Car Coaxial Speaker
Ø 1.0 Inch Voice Coil 4Ω



SPECIFICATIONS

General Data			Unit
Type	Woofers	Tweeter	
Overall Dimensions	102*61		mm
Nominal Power Handling	30		W
Transient Power 10ms	60		W
Sensitivity	85		dB
Frequency Response	112-20K		Hz
Cone Material	Polypropyle	PEI Dome	
Net Weight	0.53		kg
Electrical Data			
Nominal Impedance	4	4	Ohm
DC Resistance	3.4	3.2	Ohm
Voice Coil and Magnet Parameters			
Voice Coil Diameter	25.9	13.28	mm
Voice Coil Height	6.5	1.4	mm
HE Magnetic Gap Height	4	1.5	mm
Max.Linear Excursion	1.25		mm
Voice Coil bobbin	KAPTON	Aluminum	
Voice Coil Wire	Copper	CCAW	
Number Of Layers	2	2	layers
Magnet System Type	High Flux Ferrite	Neodymium	
BL Product	3.15		N.A
T-S Parameters			
Suspension Compliance	Cms	0.378	
Mechanical Q Factor	Qms	4.41	
Electrical Q Factor	Qes	1.17	
Total Q Factor	Qts	0.93	
Moving Mass	Mms	5.32	
Eq.Cas Air Load(liters)	VAS	1.72	Liter
Resonant Frequency	Fs	112	Hz
Effective Piston Area	SD	56.7	cm ²



FOR REFERENCE ONLY

