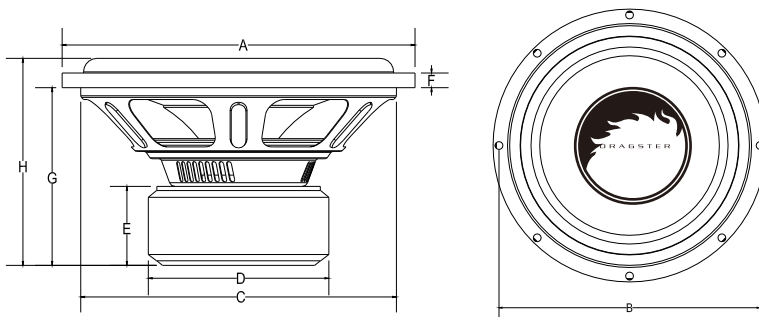


DWB12S4

12" SUBWOOFER

Features:

Heavy guage stamped basket;
Kevlar fiber reinforced non-press paper cone
Red stitched EROM foam surround;
2" 4-layer round copper wire voice coil;
Reliable red poly-cotton 1-pc 2-layer spider;
Double stacked 80oz Strontium magnets;
Direct VC cooling motor design;
Push terminal;
Rubber magnet boot and rubber gasket;
4-ohm Impedance;
300W RMS power and 600W MAX power



DWB12S4 DIMENSIONS

Dimensions	Value	DWB12S4
Diameter A	mm	316
Diameter B	mm	296
Diameter C	mm	285
Diameter D	mm	140
Depth E	mm	56
Depth F	mm	14
Depth G	mm	141
Depth H	mm	160

DWB12S4 subwoofer T/S Parameters

	Imp	Dcr	Fs	SD	BL	Qms	Qes	Qts	n	SPLo	Vas	Cms	Mms	Mmd	Xmax	Vd
Model	ohm	ohm	Hz	msqM	Tm					dB	L	µm/N	g	g	±mm	L
DWB12S4	4	3.4	34.5	51.07	14.17	4.766	0.579	0.516	0.406	88.1	45.97	124.11	144.82	138.19	10.0	3.44

*Above parameters are tested after each subwoofer was break-in-ed under 300W power for 8hours.

*Due to continuous pursuit of performance, specifications change without prior notice.